



Explosion Protection by SUREALL



Product Catalogue

**Explosion Protected LED Luminaires
for Use in Hazardous Locations**



SUREALL TECHNOLOGY LIMITED



CORPELIMA

SEG Series LED Emergency Luminaires

Class I, Div.1, Group A,B,C,D	Hazardous Locations
Class II, Div.1, Group E,F,G	UL/cUL Listed
Class III	Wet Locations, Type 4X,IP66
Class I, Zone 1, Zone 2,Ex d	IECEx/ATEX



Applications

- In area requiring lasting and reliable illumination during failure or interruption of power to the normal lighting system
- Oil and gas plants, oil terminals, refineries, petrochemical and chemical plants, waste and sewage treatment facilities, food processing facilities, breweries and other industrial manufacturing facilities
- In area where corrosion, vibration ,moisture, dirt and fibers
- Classified and hazardous locations where flammable gases or vapors may present due to abnormal, unusual or accidental conditions

Features

- Metallic, enclosed, gasketed housing to endure harshest and corrosion environment
- Two assembled LED lamp heads, adjustable to focus light where you need it, resistant to corrosion, impact and water
- Lightweight, compact size and mounting feet ease installation and allow placement in confined area
- Two NPT3/4 drilled hubs and blind plugs to right and left feed
- Rugged, long life, maintenance-free, nickel cadmium battery or Ni-MH battery, last for emergency operation time at 6W LED for 90 minutes
- Factory-installed self-test, monitoring and diagnostics device to reduce the costly maintenance checks
- Solid battery charger, long-life and reliable, to prevent deep discharge by disconnecting luminaires from battery automatically
- Wall mounting and pendant mounting for option

Ex-mark	Ex d ib IIC T6 Gb
Rated Voltage	AC 220V 50/60Hz, DC 12/24/36V
Rated Wattage(W)	2x5W LED
Emergency Duration	90min
Battery Specification	Nickel Cadmium battery or Ni-MH battery
Luminous Flux(Lm)	600Lm
IP Grade	IP66
Ambient Temperature	-20° C~ +40° C / -4° F~+104° F
Cable Entry	NPT1/2" or NPT3/4" or M25 x 1.5
Terminals	Terminal blocks≤2.5mm ² ,cable diameter 10-14mm
Installation	Wall / Pendant
Weight	3.2Kg





CORPELIMA

Certifications and Compliances

IEC Standard

IEC60079-0, IEC60079-1, IEC60079-11

Ex d ib IIC T6 Gb

Zone 1, Zone 2; Zone 21, Zone 22

IP66

EU Standard

EN60079-0, EN60079-1, EN60079-11

 II 2 G Ex d ib IIC T6 Gb

Zone 1, Zone 2; Zone 21, Zone 22

IP66

NEC & CEC Standard

Class I, Div 2, Group A B C D

Class II, Div 1 & 2, Group E F G

Class III

Wet Locations, Type 4X, IP66

UL Standard

UL844, UL1598, UL1598A

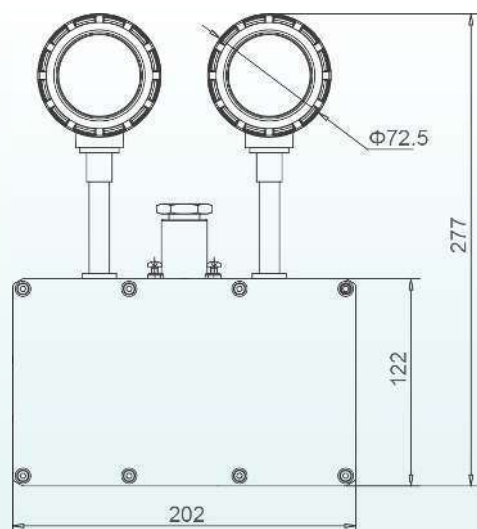
CSA Standard

CSA C22.2 No.137

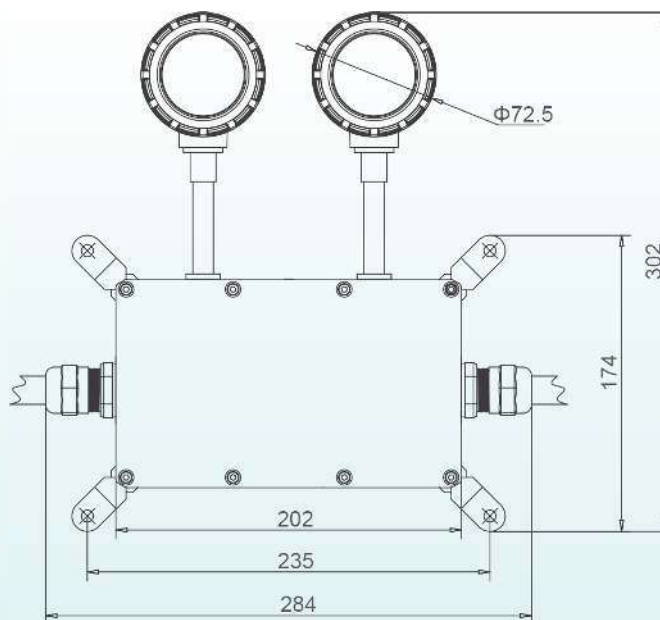
Standard Materials

- Body: Copper-free content aluminum alloy
- Len: Shock and temperature resistant borosilicate glass
- Gaskets: Acid/hydrocarbon resistant silicone gasket for temperatures of -50° C
- Bolts and screws: Stainless steel
- Coating: Epoxy coating (grey)
- Corrosion resistance: The STANDARD of the aluminum alloy used by SUREALL has passed the tests required by standards EN60068-2-30 (hot/humid cycles) and EN60068-2-11 (salt mist tests)

Mounting Options & Dimensions (mm)



Pendant Type



Wall Type