

Durable Lighting Made for Industrial Safety



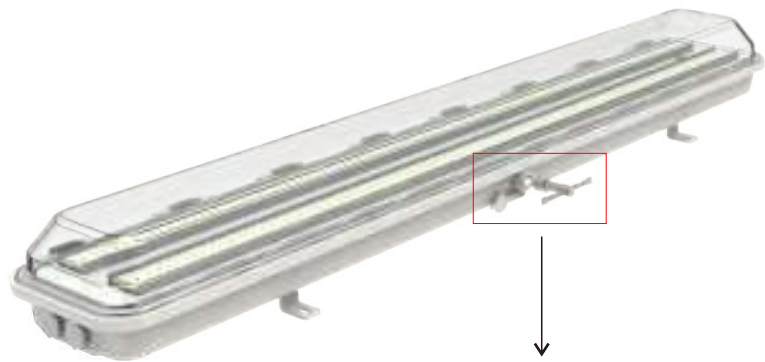
Hazardous Location LED Luminaire RL Series (for North America)



Specsheet-2023-09 EN



RL2



RL4



Interlock Kit



Product Description

The RL series linear vapor tight is designed for use in hazardous locations where flammable gases, vapors, or liquids might be present during normal facility operations. The combination of the style and design of new LED technology with the ruggedness and durability of a hazardous location fixture makes it ideal for retrofit of existing HPS/MH and offers higher efficacy for energy savings, lower maintenance costs and shorter payback. The optional battery backup system provides a minimum of 90 minutes operation after AC power is lost during an emergency.

Features

- UV stabilized, impact-resistant fiberglass reinforced polycarbonate lens
- Available in two and four foot lengths
- Safety interlock kit design
- Light distribution 120 degree
- 0-10V dimming
- Replaceable LED light strip
- Water-proof, vapor-proof, dust-proof, and corrosion resistant
- Optional emergency battery back-up (self-contained min. 90 minute with Push-to-test button and LED charging indicators)

Compliance

UL 844 Hazardous Locations

Class I Division 2, Group A, B, C, D

ABS

IP66 (wet location)

IK10



Application

- Power Plants
- Heavy Industrials Storage Facility
- Paper mills
- Wastewater Treatment Plants
- Loading Docks Platforms
- Offshore Environments
- Chemical Processing Facility
- Petrochemical Processing Facility
- Metallurgical Industry
- Coal Mine
- Food and Alcohol industry



Warranty

5-Year Standard Warranty

LED lumen Maintenance: L70> 150,000 Operation Hours@65°C



Technical Parameter

• Electrical

Specification	Ex-xxxWRL2YZDM	Ex-xxxWRL4YZDM
Rated Power	10/12/15/18/20/25/30/36/40W	20/25/30/36/40/48/50/54/60W
Input Voltage	100-277VAC; 200-480VAC (under testing)	
Input Frequency	50/60Hz	
Power Factor	> 0.9	
Emergency Function	Optional emergency battery back-up (self-contained min. 90 minutes with Push-to-test button and LED charging indicators)	

• Optical

Specification	Ex-xxxWRL2YZDM	Ex-xxxWRL4YZDM
Lumen Output	1300-5200lm	2600-7800lm
Lumens Per Watt	130lm/W	
CCT	2700K/4000K/5000K/5700K/6500K	
CRI	> 70	
Beam Angle	120°	
Dimming Function	0-10V dimming	

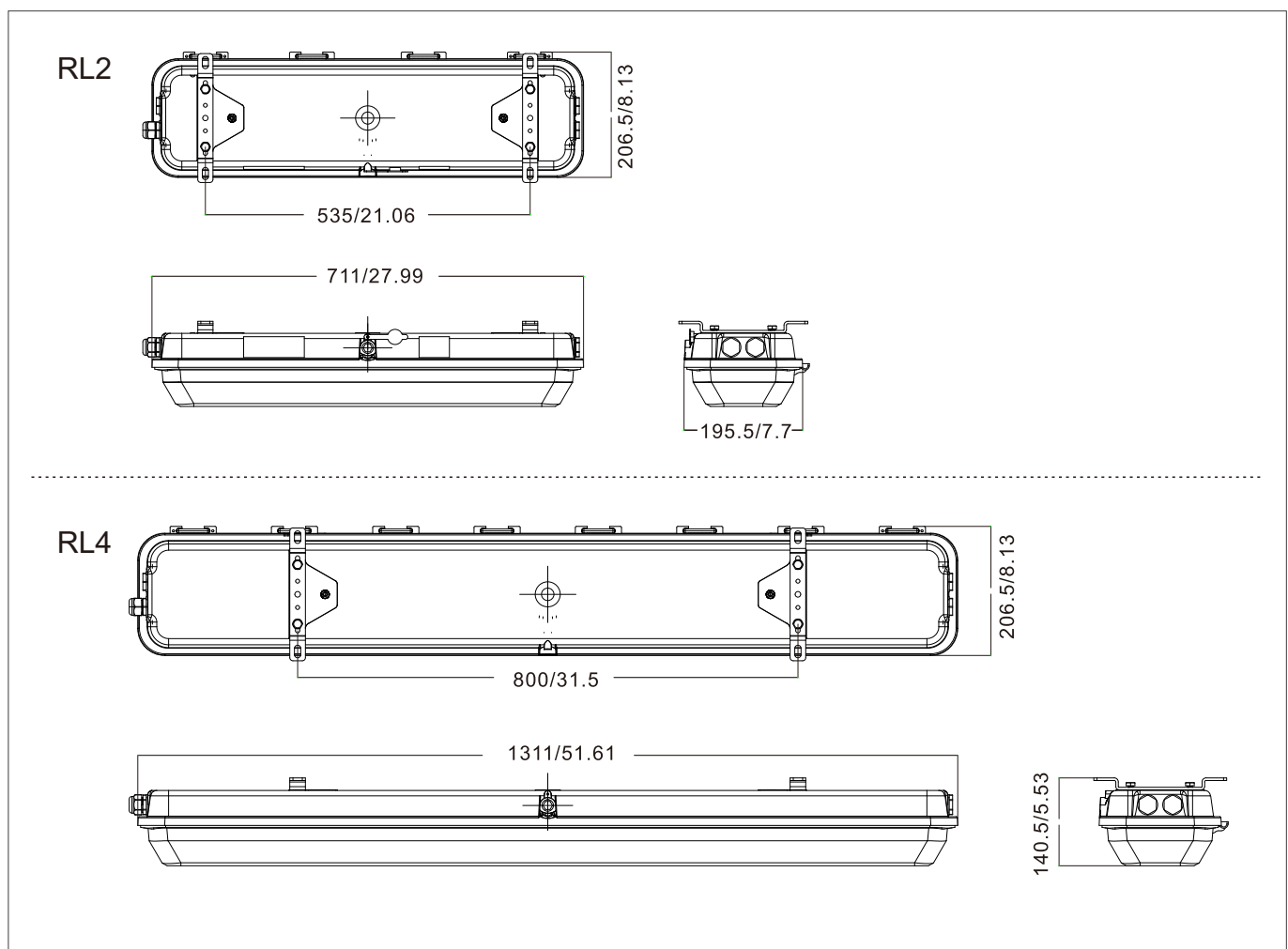
• Mechanical

Specification	Ex-xxxWRL2YZDM	Ex-xxxWRL4YZDM
Structural Feature	Safety interlock kit design	
Lens Material	Transparent fiberglass-reinforced polycarbonate (standard) Diffuse fiberglass-reinforced polycarbonate (optional)	
Cover	PC	
Gasket	Silicone rubber	
Latches/Clips	Aluminum alloy	
Color	Milky White	
Finish	Epoxy powder coating	
Protection	IP66(wet location)/IK10/3G Vibration/1200hrs salt spray	
Mounting	Ceiling, rope, and pole mount	
Cable entries	Standard: 4 x NPT3/4 (Side x1 open, Side x3 with stopping plugs) With Emergency: 3 x NPT3/4 (Side x1 open, Side x2 with stopping plugs) x self testing button	

• Environmental

Specification	Ex-xxxWRL2YZDM	Ex-xxxWRL4YZDM
Ambient Temperature	10/12/15/18/20W: -40°C to +40°C (T6); -40°C to +55°C (T6); -40°C to +65°C (T6) 25W: -40°C to +40°C (T6); -40°C to +60°C (T6) 30/36/40W: -40°C to +40°C (T6); -40°C to +60°C (T5)	20/25/30W: -40°C to +40°C (T6); -40°C to +55°C (T6); -40°C to +65°C (T6) 36/40/48/50W: -40°C to +40°C (T6); -40°C to +60°C (T5) 54/60W: -40°C to +40°C (T6); -40°C to +55°C (T5)

Product Dimensions Unit: mm/inch



• Packing Information

Model	Net Weight	Gross Weight	Quantity/Carton	Package Dimensions (LxWxH)
RL2 (standard)	4 kg/ 8.82 lb	5 kg/ 11.02 lb	1 pc	800x250x170mm/31.5x9.84x6.7inch
RL4 (standard)	8 kg/ 17.64 lb	10.7 kg/ 23.59 lb	1 pc	1400x250x175mm/55.12x9.84x6.89inch

Mounting

Options	Description	Kit(inch[mm])	Installed
Ceiling Mount	Provided with two stainless steel mounting kits welded at the back of Housing	Standard Mounting Kit (Included) 	
Rope Pendant Mount	Provided with two stainless steel wire. Measured 1 mm diameter.		
Pole Mount	(1) 155° Pipe (2) Pipe Clamp bracket		

*Mounting screws not provided

**Ordered separately, field installed

Ordering Guide



1. Basic Model Series	2. Input Wattage	3. Luminaire Tank Length	4. Dimming Function
Ex: Explosion Proof Product	RL2: 10/12/15/18/20/25/30/36/40W RL4: 20/25/30/36/40/48/50/54/60W	Can be: RL2: 2 feet RL4: 4 feet	Y: Dimmable N: Non-dimmable

5. Color Temperature	6. Beam Angle	7. Mounting	8. Emergency Back Up*
Can be: 27: 2700K, 40: 4000K 50: 5000K, 57: 5700K 65: 6500K	D: 120°	Can be: C: Ceiling Mount R: Rope Pendant Mount P: Pole Mount	Blank: without Emergency Function -EM: with Emergency Function

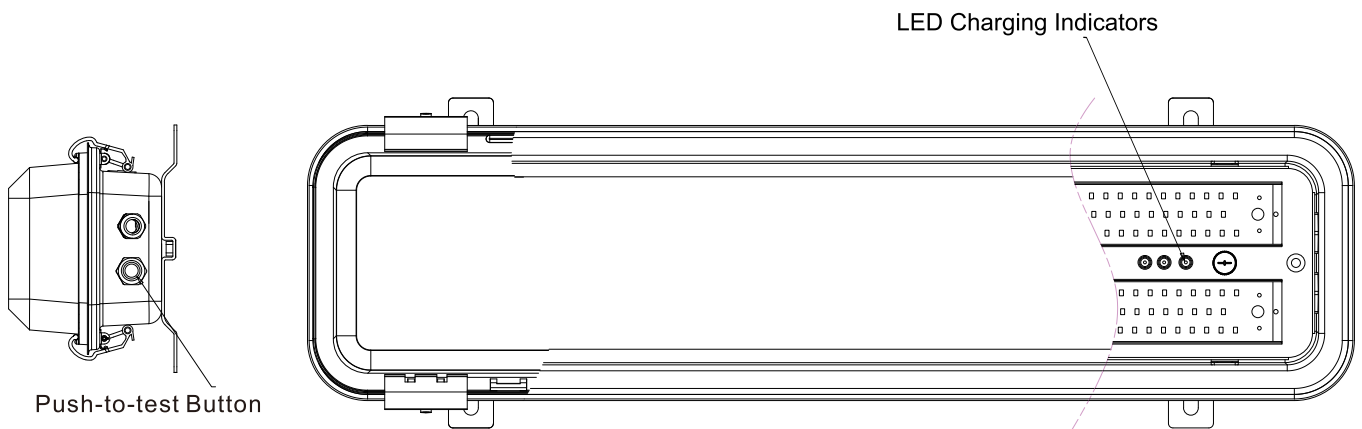
* Suffix not within nomenclature as per UL certification, for marketing purpose only.




Emergency Driver Specification Features EM-15W-HL

CAUTION: Sealed unit. Battery not replaceable. Replace entire unit when necessary.

Model	Input Rating				Emergency Output Rating	
	VAC	Hz	Max. A	Max. W	VDC	Constant Wattage, W
EM-15W-HL	120-277	50/60	0.15	9	42-50	15

Model	Charge Time, Hours	Emergency Run Time, Min	Use Environment	Rated Ambient Range, °C	Battery Life Expectancy
EM-15W-HL	24	90	Damp	-10~60	5 Years



LED Indicator State	Representation
 Green Light On	Battery charging capacity is more than 80% or fully charged
 Red Light On	Battery charging capacity is less than or equal to 80%
 Yellow Light On	1. Product failure. 2. Battery charging or discharging capacity is less than or equal to 20%