

Your safety is our priority !



Explosion Proof A Series

LED High Bay/Low Bay/Flood Light/Wall Pack



Model A



Model A2



Model A3



Model A4

Materials

- * Housing: Aircraft aluminum
- * Lens: Tempered glass
- * Hardware: stainless steel
- * Mounting Bracket: stainless steel

Basic Data

Product Number	Wattage	Color Temperature	Voltage	Lumens	Warranty	CFI
EX-20W A2YZDA	20	2200K-7000K	AC100-277V (by driver or by IC) Or DC12-48V	2800	5 years	80
EX-40W A2YZDA	40			5800		
EX-60W A2YZDA	60		8400			
EX-80W AYZDA	80		AC100-277V (by driver or by IC) Or DC12-48V	11200		
EX-100W AYZDA	100			14000		
EX-150W A3YZDA	150		AC100-277V (by driver or by IC) Or DC12-48V	21000		
EX-180W A3YZDA	180			25200		
EX-200W A3YZDA	200		AC100-277V (by driver or by IC) Or DC12-48V	28000		
EX-150W A4YZDA	150			21000		
EX-180W A4YZDA	180		Or AC200-488V	25200		
EX-200W A4YZDA	200			28000		
EX-250W A4YZDA	250			35000		

A,A2,A3,A4=Product code. "Y"=D or N:Dimmable or non-dimmable "Z"=CCT, from 2200-7000K. "D"=Beam angle, D40 for 40°, D60 for 60°, D90 for 90°, D120 for 120°.

Explosion Protection

Marking ATEX	II 3 G Ex ec IIC T3C Gc
	II 2 D Ex op is tb IIIC T160°C Db
	EX IIC EX mb eb IIC T3C GB II2 EX op is tb IIC T3C DB
Marking IECEx	Ex ec IIB T3C Gc
	Ex op is tb IIIC T160°C Db
	EX mb eb IIC T3C Gb
	EX op is tb IIC T3C Db
Marking UL844 (North American)	Class I, Division 2, Groups A, B, C, D
	Class II, Division 1, Groups E, F, G
	Class II, Division 2, Groups F, G
	Class III
Marine Marking	UL 1598A
	ABS
Other Rating	IP 66

Applications

Oil and Gas industry

- * All petroleum production and refining
- * Petroleum loading and transportation
- * Petroleum storage and retail
- * LNG industry
- * All mining operations and service

Chemical industry

- * All types of paint facilities
- * Chemical production and storage

Ocean, marine and aerospace field

- * Ocean platform operation facilities and structure
- * Aerospace clean room and production
- * Ocean vessel operations

Metal treatment

- * Steel and aluminum factories
- * Pumping stations in any environment
- * Metal smelting, foundry and fabrication

Food and alcohol industry

- * Flour and fine particle production and storage
- * Food and distilling production
- * alcohol industry

Other high humidity, high dust, high temperature, vapor locations

Key Features

- High quality SMT LED and Meanwell Driver.
- Light-weight design by aircraft aluminum.
- Heavy-duty and high impact resistance.
- Three connection cable entry points.
- Replaceable LED board and drivers.
- Integrated junction box for driver with emergency back up.
- Dimmable and battery back up function available.
- Marine rating powder coated appearance treatment.

Value-Added Features

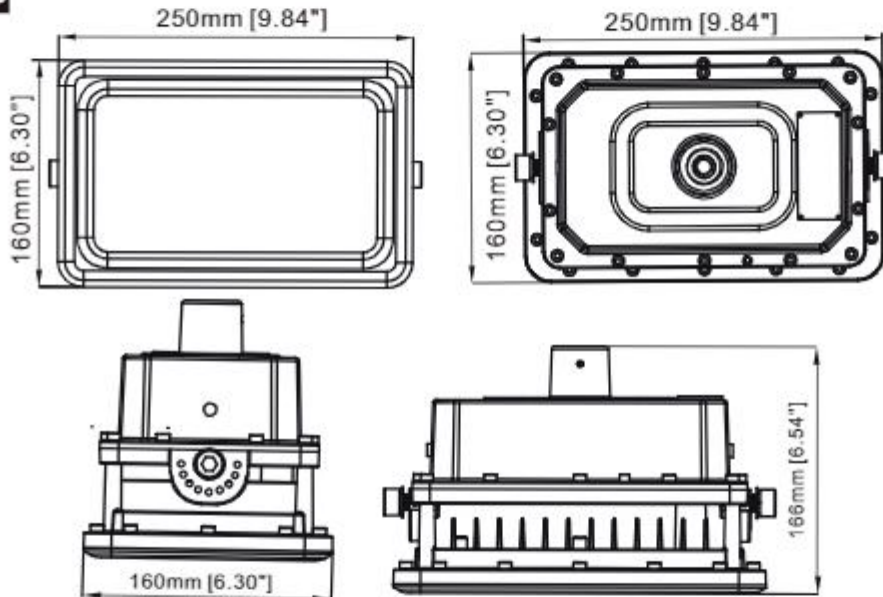
- 10kV surge protection.
- Up to 5 years limited warranty option.
- Emergency Battery back up to three hours.
- Various installation ways for different applications.
- Glass lens or Glass with polycarbonate lens to make bigger beam angle.
- Made in USA is valuable option for customer.

Mechanical Structure

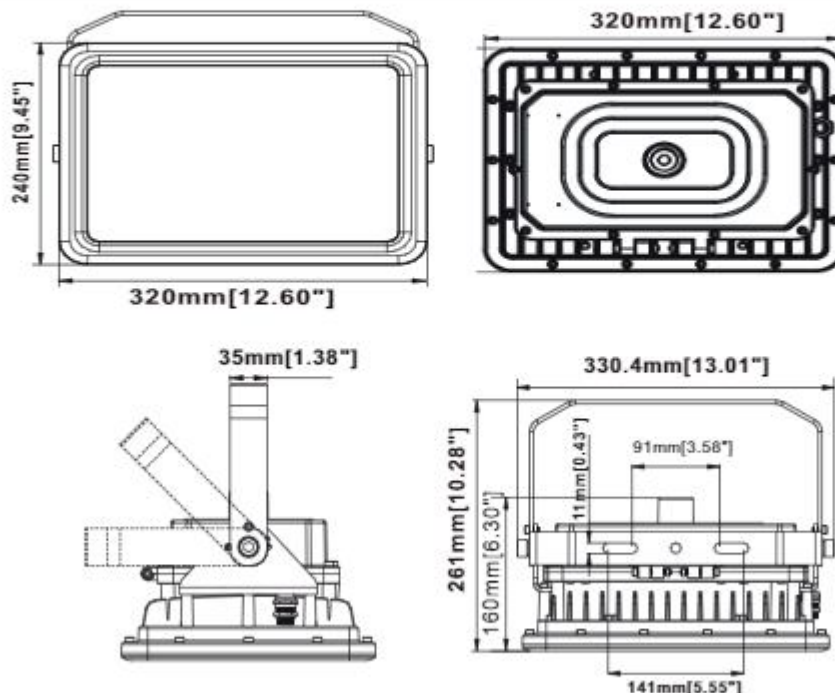
The structure type with bracket, flat glass and optics lens generates 40°,60°,90° and 120° light distribution.

Unit: mm or inch

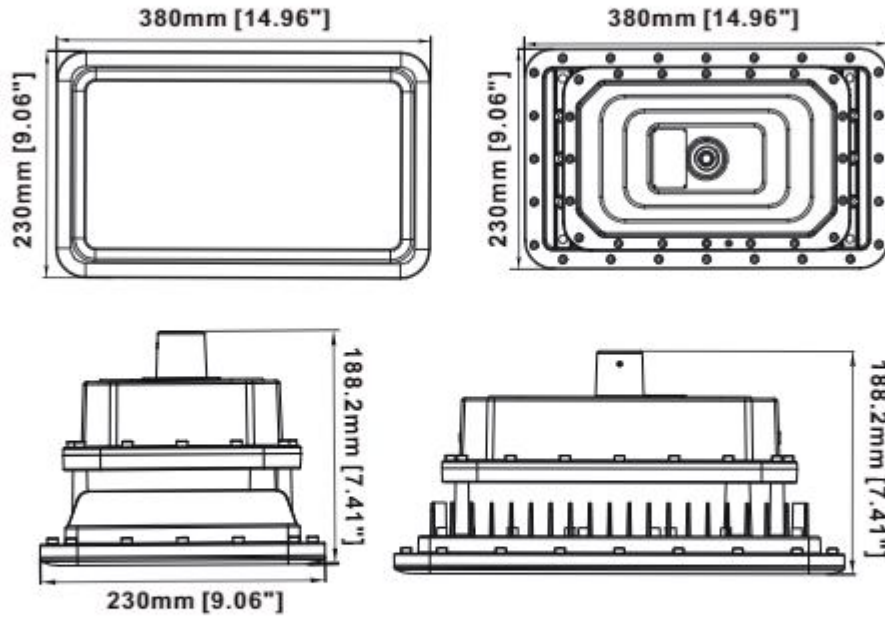
A2 Series



A Series



A3 Series



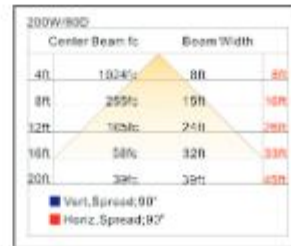
Lighting Distribution



Beam Angle: 40°



Beam Angle: 60°



Beam Angle: 90°



Beam Angle: 120°

Installation Manual

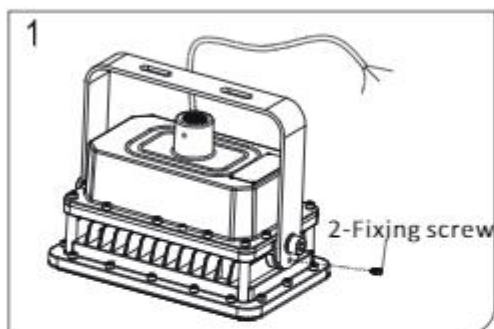
WARNING

READ THIS INSTRUCTION CAREFULLY BEFORE INSTALLING. KEEP THIS INSTRUCTION FOR FUTURE REFERENCE.
 Fixtures must be wired in accordance with the National electrical code and all applicable local codes. Proper grounding is required for safety.
 THIS PRODUCT MUST BE INSTALLED IN ACCORDANCE WITH THE APPLICABLE INSTALLATION CODE BY A QUALIFIED ELECTRICIAN WHO IS FAMILIAR WITH THE CONSTRUCTION AND OPERATION OF THE PRODUCT AND THE HAZARDS INVOLVED.
Warning: Risk of fire or electric shock. High bay Light installation requires knowledge of luminaires and electrical systems. If not qualified, DO NOT try to install. Please contact an electrician.
Warning: Risk of fire or electric shock. Suitable for wet locations. Make sure the power is off prior to install.
Warning: Risk of fire or electric shock. Suitable for non-insulated surface and frame. DO NOT cover fixture with insulation liner or similar material.
Warning: DO NOT install in unstable, loose or breakable surfaces.
Warning: DO NOT let objects impact or exert force on the surface of the fixture.

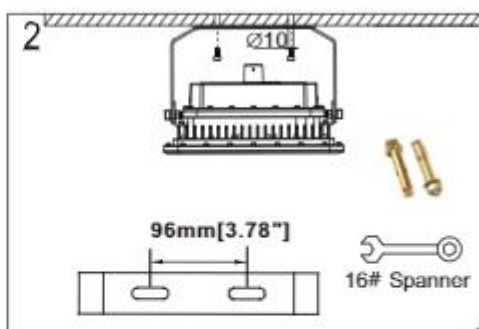


WARNING
 Risk of fire, Electric shock or personal injury
 Before installation, turn off power!

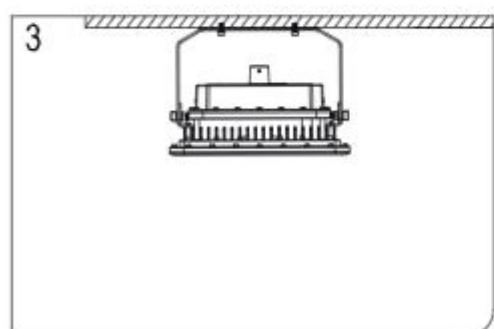
Ceiling Mounting



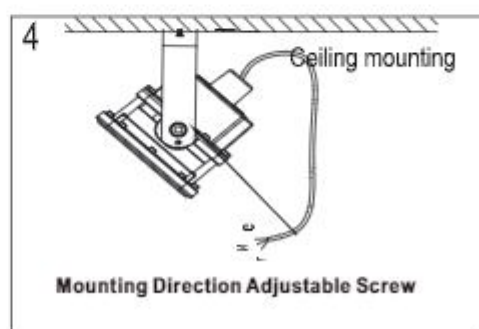
2. Install and tighten flexible metal conduit with the fixture.



3. Drill 2x hole as shown in Fig.2, the distance can be 91~140mm, fixing $\varnothing 10$ expanded crews and bracket on ceiling.

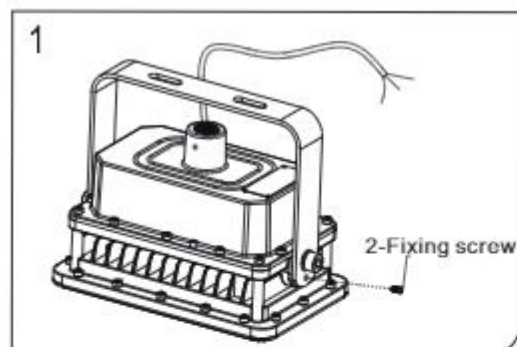


4. Connect black cable to L, connect white cable to N, connect green cable to grounding.

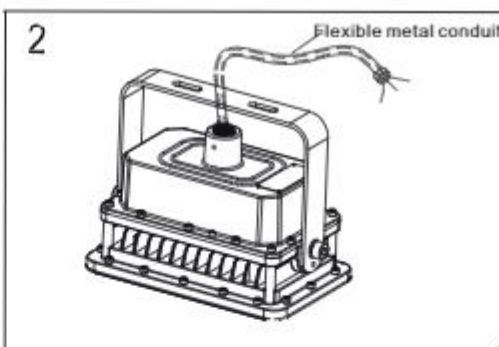


5. Adjust the beam angle from 0-180°.

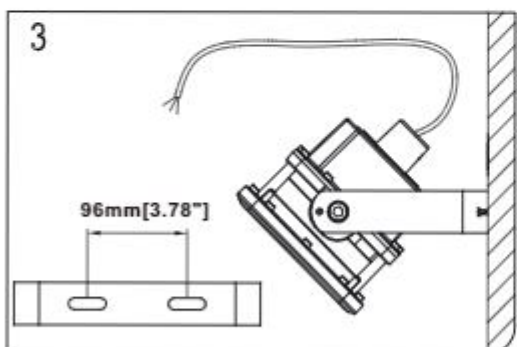
Wall Mounting



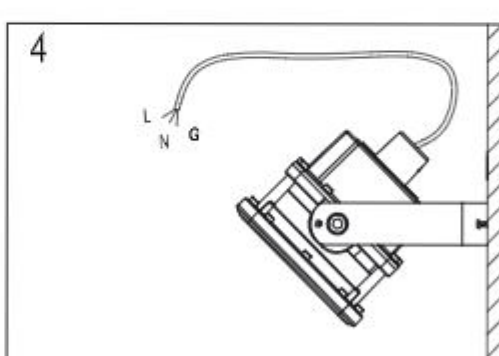
1. Take the fixture and accessory out from carton box, tighten 2x angle holder screw as Fig.1.



2. Install and tighten flexible metal conduit with the fixture.

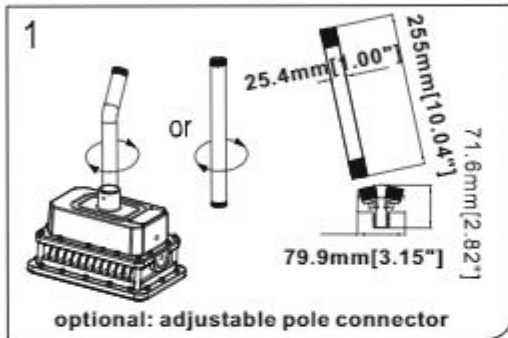


3. Drill 2x hole as Shown in Fig.2, the distance can be 91~140mm, fixing $\varnothing 10$ expansion screws and bracket on ceiling.

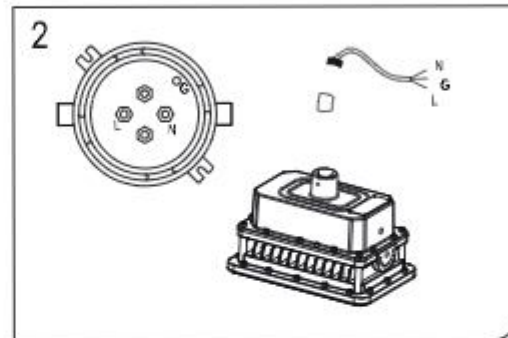


4. Connect black cable to L, Connect White cable to N, Connect green cable to grounding.

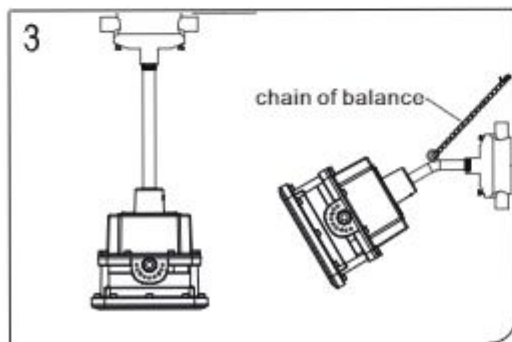
Pole Mounting



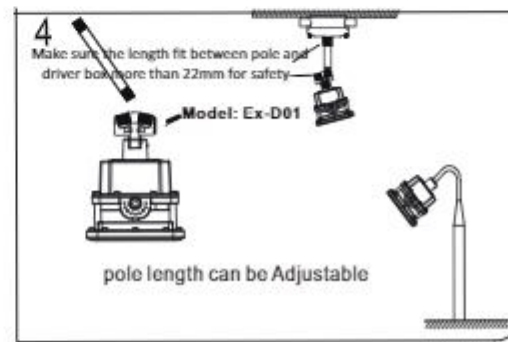
1. Take the fixture and pole accessory out from carton box, tighten pole as shown in Fig.1.



2. Connect black cable to L, Connect White cable to N, Connect green cable to grounding.

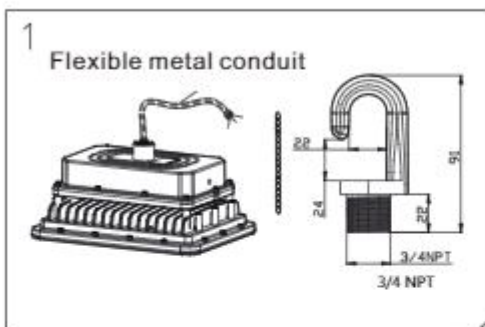


3. Drill 4x \varnothing 10mm holes, as 100mm distance, install the junction box to the wall or ceiling as shown in Fig.3, tighten the pole to the box, and adjust the chain of balance.

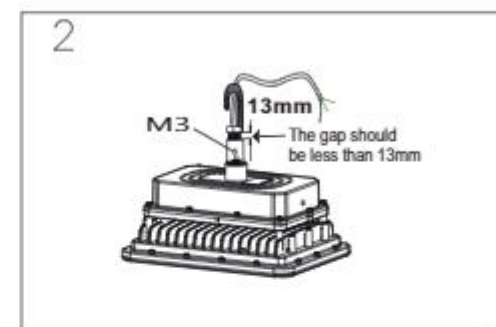


4. Adjustable pole installation. With this adjustable kit, you can Make any light distribution direct as you want. Optional: Install the fixture to the long pole after cable connecting cable.

Hook Pendant



1. Take the fixture and accessory out from carton box, tighten 2x angle holder screw as shown in Fig.1.



2. Tighten the hook with the fixture, at least 6x teeth need to be tighten, fix the M3 screw to prevent the hook loosening .

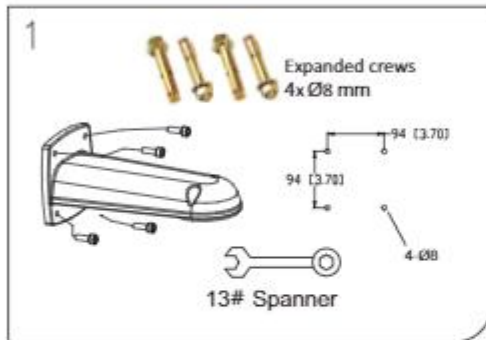


3. Drill 1 expansion screw hole and install it, and hang the chain as shown in Fig.3.

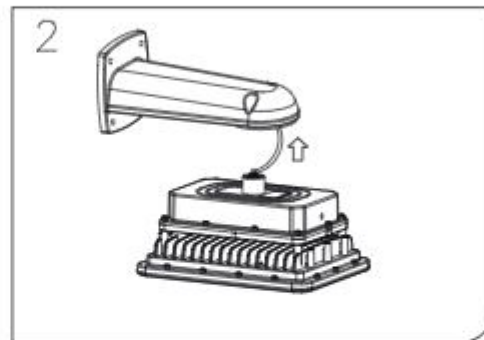


4. Hang the fixture to the hook as above, connect black cable to L, connect White cable to N, connect green cable to grounding.

Arm Mounting



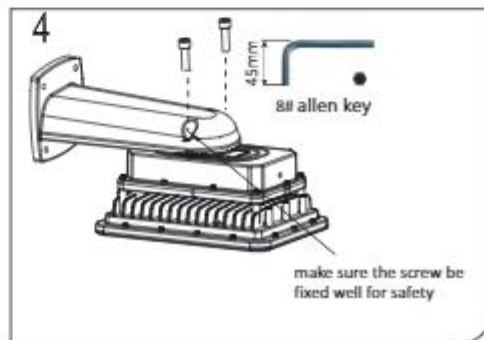
1. Drill 4x holes as above distance, and fix the arm on the wall, tighten 4x screws as shown in Fig.1.



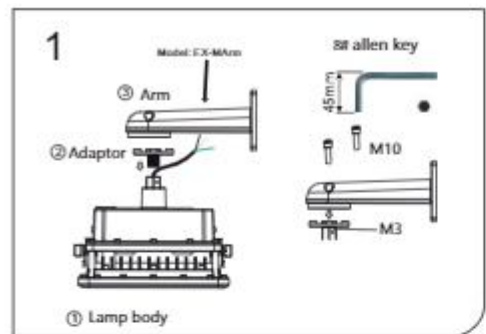
2. Contact the power AC wire with lamp, put the terminal into the arm.



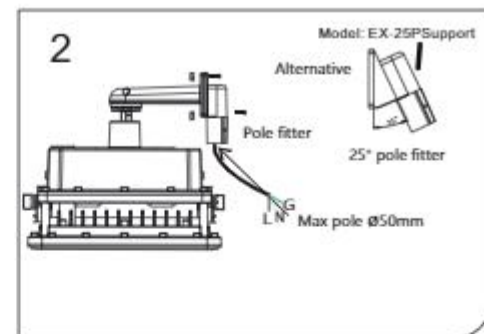
3. Match the circle part with arm, and rotate it to right.



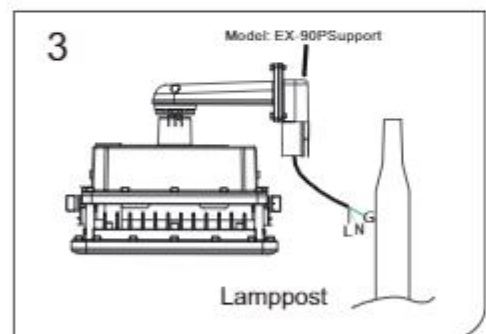
4. Tighten 2x screws to avoid the lamp loosed.



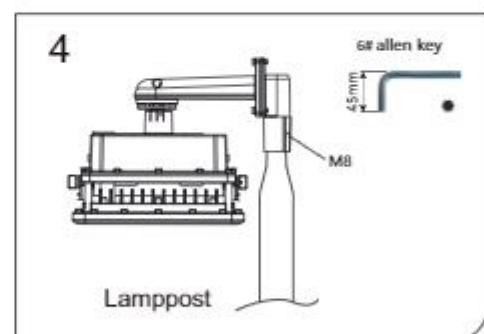
1. Tighten part 2 and assembly 1, and fix the M3 screw, install arm to the adaptor, tighten the M10 via 8# allen key.



2. Install the pole fitter with arm via 4x M8 screws, the max suitable pole diameter 50mm, the alternative 25 degrees pole fitter.

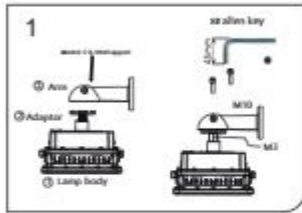


3. Contact the cable to AC wire, connect black cable to L, connect White cable to N, Connect green cable to grounding.

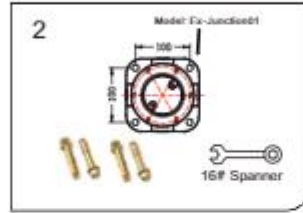


4. Slip the fitter to the lamppost and tighten M8 inner hexagonal screw.

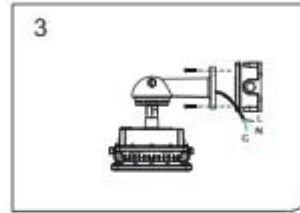
Wall Mounting to junction box



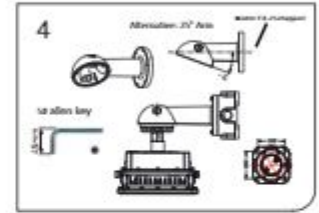
1. Tighten part 2 and assembly 1, and fix the M3 screw/install arm to the adaptor, tighten the M10 via 1/8 allen key.



2. Drill 4x Ø10mm holes install the junction box to the wall via M10 expanded screws.



3. Contact the AC wire to power system, connect black cable to L, connect white cable to N, connect green cable to grounding.



4. Tighten 6 screws between arm and junction box, turn

Packing Information

Model	Quantity/Carlon	Length(cm)	Width(cm)	Height(cm)	Net weight(kg)	Gross weight(kg)
A	1	37.5	34	21.5	6.95	7.9
A2	1	36.5	27	30.5	4.15	5.3
A3	1	48.5	34	36.5	8.3	10.3
A4	1	35	47	40	15.1	17

Accessories



• Model: Ex-Junction01
 Name: Junction Box
 Material: Aircraft Aluminum A383



• Model: EX-Hook
 Name: Installation Hook
 Material: Aircraft Aluminum A383



• Model: Ex-Conduit01
 Name: Metal Conduit
 Material: Stainless Steel and Aluminum



• Model: EX-WPipe
 Name: Winding Swing Pipe
 Material: Iron with Power Coating



• Model: EX-SPipe
 Name: Winding Swing Pipe
 Material: Iron with Power Coating



• Model: Ex-D01
 Name: Pendant Direction Adapter
 Material: Aircraft Aluminum A383



• Model: EX-MArm
 Name: Surface Mounting Arm
 Material: Aircraft Aluminum A383



• Model: EX-25PSupport
 Name: 25 Degree Pole Support
 Material: Aircraft Aluminum A383



• Model: EX-90PSupport
 Name: 90 Degree Pole Support
 Material: Aircraft Aluminum A383



• Model: Ex-90JSupport
 Name: 90° Arm to Junction box
 Material: Aircraft Aluminum A383



• Model: Ex-25JSupport
 Name: 25° Arm to Junction box
 Material: Aircraft Aluminum A383



• Model: Ex-DArm
 Name: Direct Mounting Arm
 Material: Aircraft Aluminum A383